

HIGH PRECISION DIGITAL MICROMETERS/SNAP GAGES

NON-ROTATING SPINDLE

ABSOLUTE ENCODER, THE ORIGINAL DATA REMAINS AFTER POWER OFF

IP65 WATERPROOF

DATA OUTPUT



ATTENTION: RECHARGEABLE BATTERY, FOR 24 HOURS CONTINUOUS WORKING

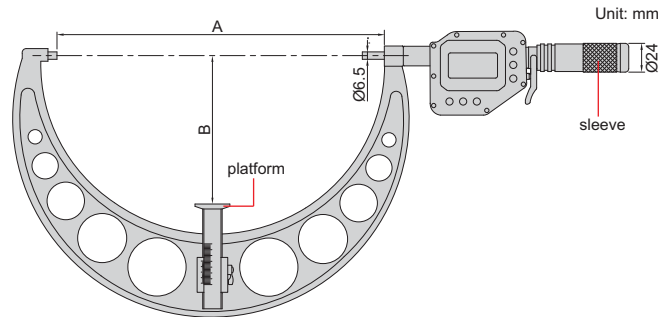
ONE TURN OF SLEEVE MAKES 5MM SPINDLE FEED, PRESS THE FORK, THE SPINDLE RETRACTS 3MM

MEASUREMENT ACCURACY IS NOT AFFECTED BY THE USE OF SLEEVE

gage blocks for zero setting (included)



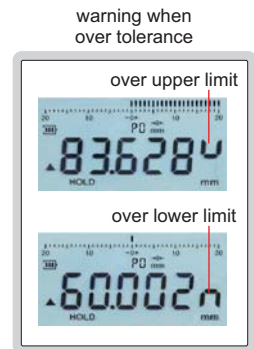
- Absolute encoder, the original data remains after power off
- Adjustable resolution: 0.0002mm/0.00001" (when the reading exceeds 100mm, the resolution is automatically switched to 0.001mm/0.00005" 0.01mm/0.0005")
- One turn of sleeve makes 5mm spindle feed
- Measurement accuracy is not affected by the use of sleeve
- Press the fork, the spindle retracts 3mm
- Linear ball bearings for ten million times use
- Carbide spindle and anvil
- Measuring force 5-8N
Customizable measuring force range 2-12N
Attention: small measuring force will reduce the dustproof and waterproof level
- Button function: data output, tolerance, data preset, data hold, measuring direction change, max./min./TIR, power off time, on/off, zero, mm/inch, adjust resolution
- Supplied with gage blocks for zero setting
- Power: rechargeable battery, for 24 hours continuous working



With data interface

Optional accessory:
wireless transmitter, code 7315-3350 page 5
data output cable (keyboard format), code 7302-3350 page 13

| Code | Range | Accuracy | Repeatability | Measuring faces | | A | B |
|------------|------------------|----------|---------------|-----------------|-------------|-------|---------|
| | | | | flatness | parallelism | | |
| 3351-125 * | 100-125mm/4-5" | 3µm | 1µm | 0.5µm | 2µm | 128mm | 62.5mm |
| 3351-150 * | 125-150mm/5-6" | 3µm | 1µm | 0.5µm | 2µm | 153mm | 75mm |
| 3351-175 * | 150-175mm/6-7" | 4µm | 1µm | 0.5µm | 2.5µm | 178mm | 87.5mm |
| 3351-200 * | 175-200mm/7-8" | 4µm | 1µm | 0.5µm | 2.5µm | 203mm | 100mm |
| 3351-225 * | 200-225mm/8-9" | 5µm | 1µm | 0.5µm | 3µm | 228mm | 112.5mm |
| 3351-250 * | 225-250mm/9-10" | 5µm | 1µm | 0.5µm | 3µm | 253mm | 125mm |
| 3351-275 * | 250-275mm/10-11" | 6µm | 1µm | 0.5µm | 3.5µm | 278mm | 137.5mm |
| 3351-300 * | 275-300mm/11-12" | 6µm | 1µm | 0.5µm | 3.5µm | 303mm | 150mm |



Built-in wireless

Optional accessory:
wireless receiver (keyboard format, connect up to 15 digital indicators), code 2134-R1
wireless receiver (serial port format, connect up to 15 digital indicators), code 2134-R2

| Code | Range | Accuracy | Repeatability | Measuring faces | | A | B |
|--------------|------------------|----------|---------------|-----------------|-------------|-------|---------|
| | | | | flatness | parallelism | | |
| 3351-125WL * | 100-125mm/4-5" | 3µm | 1µm | 0.5µm | 2µm | 128mm | 62.5mm |
| 3351-150WL * | 125-150mm/5-6" | 3µm | 1µm | 0.5µm | 2µm | 153mm | 75mm |
| 3351-175WL * | 150-175mm/6-7" | 4µm | 1µm | 0.5µm | 2.5µm | 178mm | 87.5mm |
| 3351-200WL * | 175-200mm/7-8" | 4µm | 1µm | 0.5µm | 2.5µm | 203mm | 100mm |
| 3351-225WL * | 200-225mm/8-9" | 5µm | 1µm | 0.5µm | 3µm | 228mm | 112.5mm |
| 3351-250WL * | 225-250mm/9-10" | 5µm | 1µm | 0.5µm | 3µm | 253mm | 125mm |
| 3351-275WL * | 250-275mm/10-11" | 6µm | 1µm | 0.5µm | 3.5µm | 278mm | 137.5mm |
| 3351-300WL * | 275-300mm/11-12" | 6µm | 1µm | 0.5µm | 3.5µm | 303mm | 150mm |

wireless receiver 2134-R1, 2134-R2 (optional)



* Supplied with manufacturer inspection certificate